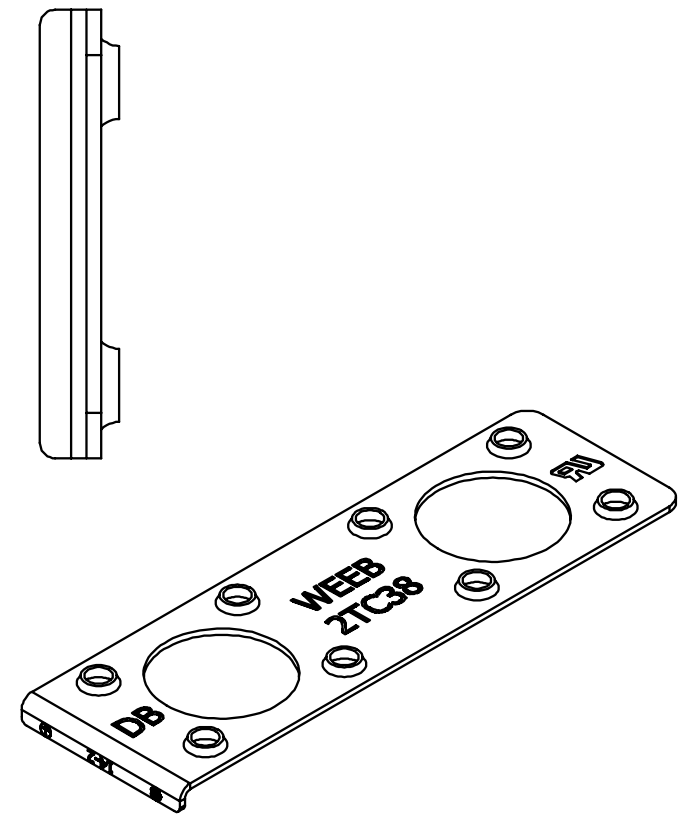
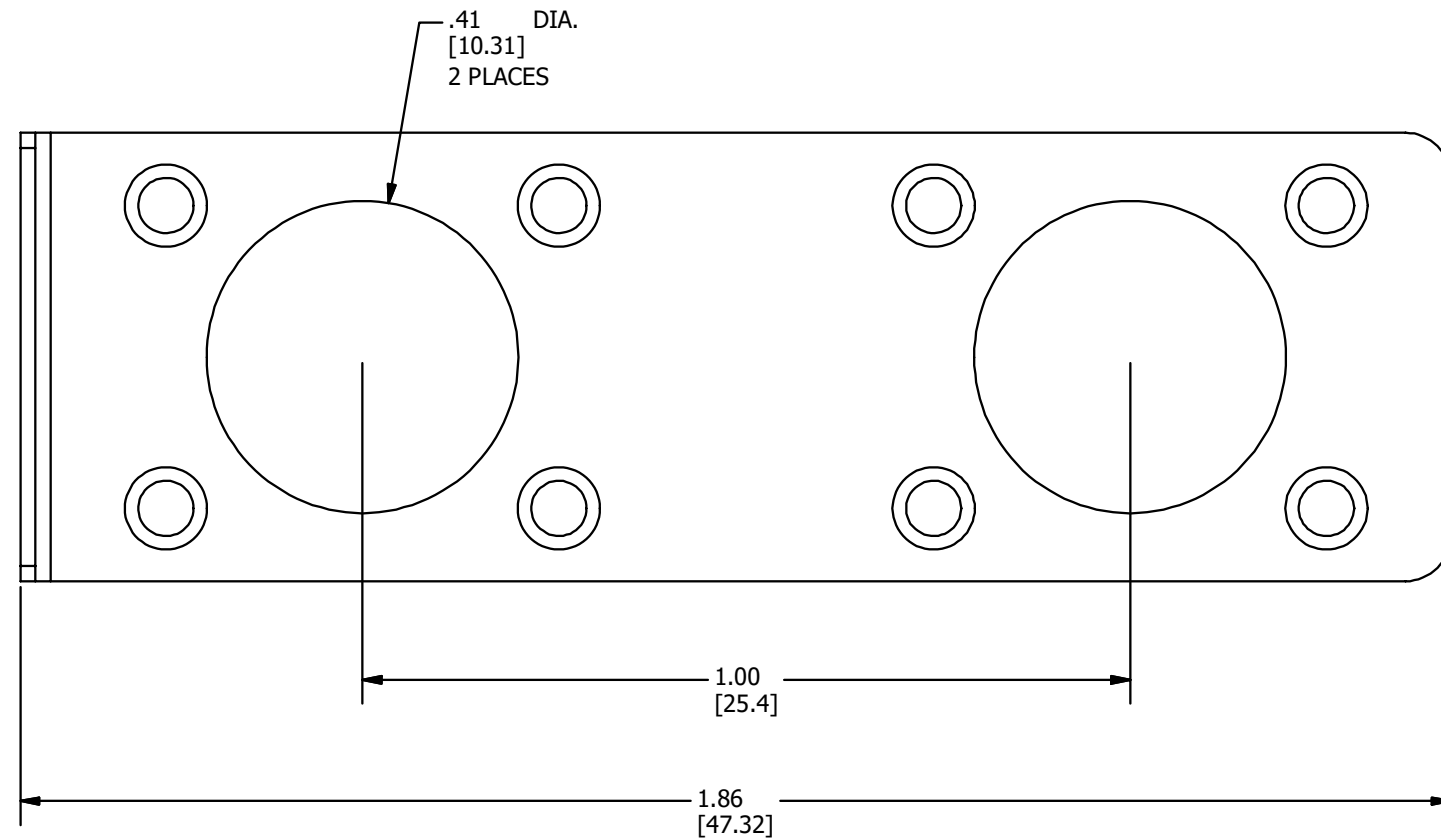
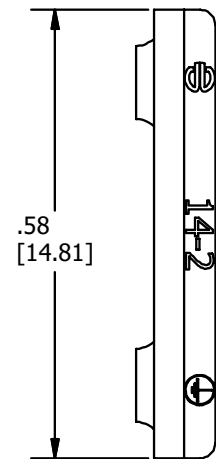
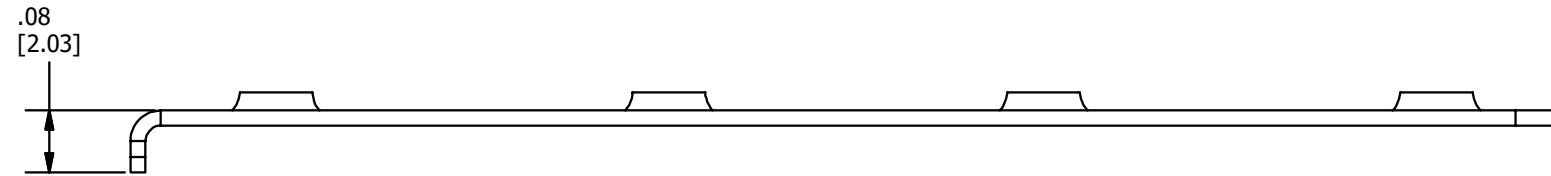
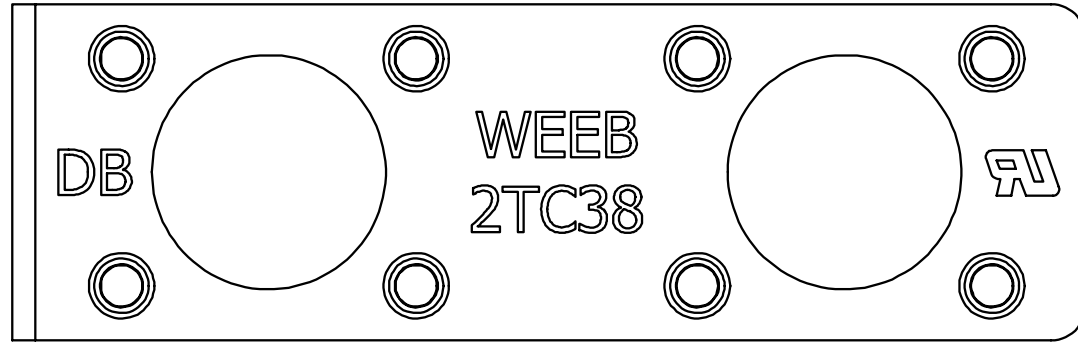


REV	DATE	DESCRIPTION	ECO	BY	C'H.K.
B	11/15/2018	SWITCH THE PRIMARY DIMENSIONS AND CHANGE THE DECIMALS	50327	TM	SC



3D VIEW

NOTES:

1. MATERIAL: 304 STAINLESS STEEL
2. DIMENSIONS IN BRACKETS [] ARE IN MILLIMETERS ROUNDED OFF TO THE NEAREST HUNDREDTH, UNLESS OTHERWISE SPECIFIED AND ARE FOR REFERENCE ONLY.

TO ORDER BURNDY PRODUCTS CALL
 UNITED STATES
 1-800-346-4175 (LONDONDERRY, NH)
 CANADA:
 1-800-361-6975 (QUEBEC)
 1-800-387-6487 (ALL OTHER PROVINCES)
 FOR PRODUCT INFO: <http://www.burndy.com>

EQUIPMENT BOND		DRAWING NO		REV
ITEM NO: 50087811		50087813		B
CAT. NO: WEEB-2TC38		SHEET 1 OF 1		
DRAWN BY: M.THAMARAI	23-11-2017			
CHECKER: S.CARBONNEAU	20-11-2018			
DSN APRVL: S.CARBONNEAU	20-11-2018			
PUR APRVL: --				
QA APRVL: B.POST	17-11-2018			
MKT APRVL: S.PARSONS	16-11-2018			
PROD FAM: WILEY				
PROJECT #:	SIZE			
DOCUMENT TYPE: SALES	B			
REL LEVEL: Released				